

LT-3.4SWG-1IN
Straight Waveguide
WR-3.4/220-330GHz
sales@laufftex.ru | laufftex.ru



LT-3.4SWG-1IN is a 1" long, J-band straight waveguide section with a WR-3.4 waveguide and UG-387/U anti-cocking flanges. The waveguide is offered to cover the frequency range of 220 to 330 GHz.

Features:

- Operating Frequency 220 to 330GHz
- Rugged Waveguide Configuration
- Low Insertion Loss

Applications:

- Test Instrumentation
- Instrumentations
- Lab Use

Electrical Characteristics:

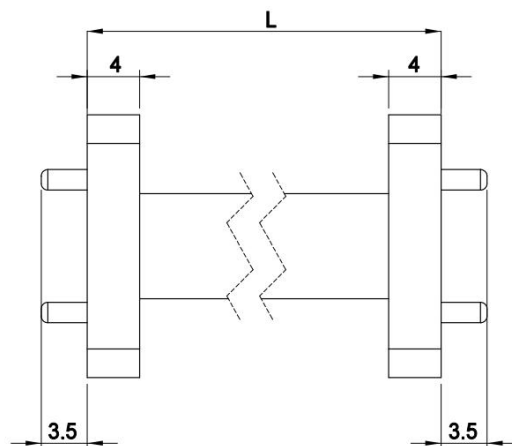
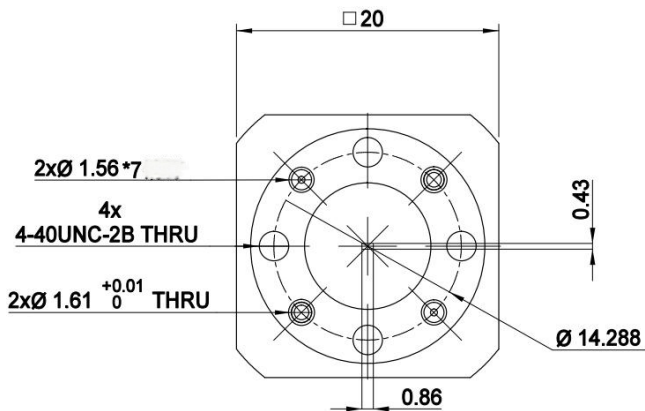
Parameter	Min	Typ	Max	単位 Units
Frequency Range	220		330	GHz
Insertion Loss		1.8		dB
Return Loss		-20		dB

Environmental And Physical Characteristics:

Description	Parameter	Units
Material	Copper	
Finish	Gold plated	
Connectors	WR-3.4/UG-387/U	
Length	1	Inch

Outline Drawing:

Unit:mm



ESD Protection: Strictly adhere to ESD precautions to prevent electrostatic damage.