

LT-3SHA25 is a standard gain horn antenna that operates from 220 GHz to 330GHz. The antenna offers 25 dBi nominal gain. The input of this antenna is a WR-3.4 waveguide with UG-387/U-M anti-cocking flange. The standard gain horn is offered for antenna range calibration purpose mainly, but it can be also used for general purpose system set ups.

## Features:

- Operating Frequency 220 to 330 GHz
- Linear Polarization
- Good Impedance Match

## Applications:

- Antenna Ranges
- Antenna Gain Measurements
- System Setups

## Electrical Characteristics:

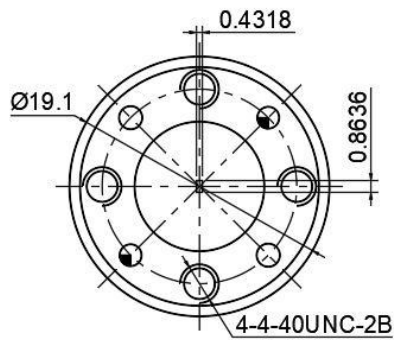
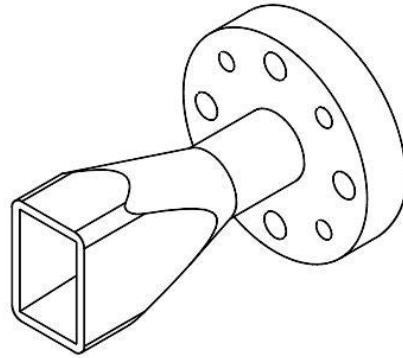
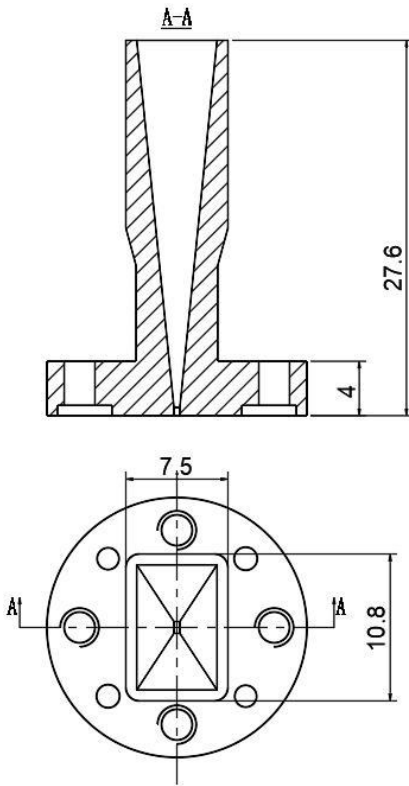
| Parameter         | Min    | Typ | Max  | Units |
|-------------------|--------|-----|------|-------|
| Frequency Range   | 220    |     | 330  | GHz   |
| Gain              |        | 25  |      | dBi   |
| Polarization mode | Linear |     |      |       |
| Input VSWR        |        |     | 1.15 | :1    |
| Output mode       | APF3   |     |      |       |
| Antenna Beamwidth |        | 10  |      | °     |

## Environmental And Physical Characteristics:

| Description | Parameter       | Units |
|-------------|-----------------|-------|
| Material    | Brass           |       |
| Connectors  | WR-3.4/UG-387/U |       |
| Size        | ø19.1*27.6      | mm    |
| Weight      | 10              | g     |

## Outline Drawing:

Unit:mm



ESD Protection: Strictly adhere to ESD precautions to prevent electrostatic damage.