

LT-D10M67

10 MHz-67GHz / 10 dBm, Input power

lauftex.ru | sales@lauftex.ru



The LT-D10M67 is a coaxial detector designed to operate from 10 MHz to 67GHz. The RF input configuration offers coax adapter structure with 1.85mm male and output port configuration offers coax adapter structure with SMA female.

Features:

- Frequency range:10 MHz-67 GHz
- Voltage sensitivity: 600 V/W Typ
- High speed finline detector
- 50 Ohm Matched Input / Output

Applications:

- Electronic warfare
- Test&measurement
- System monitoring
- AM noise measurements
- leveling pulse signal sources

Electrical Characteristics:

Parameter	Min	Typ	Max	Units
Frequency range	10MHz-67GHz			
Input Return Loss		-12		:1
Voltage Sensitivity		600		V/W
Input Power			10	dBm
Input Dynamic Range			-20	dBm
Impedance	50			Ohms

Mechanical Specifications:

Parameter	Value	Units
RF Input Connector	1.85mm Male	
Output Connector	SMA Female	
Body Material	Stainless Steel 303	
Center conductor	Becu, Golden	
Size	12.7*10.16*10.16	mm

LT-D10M67

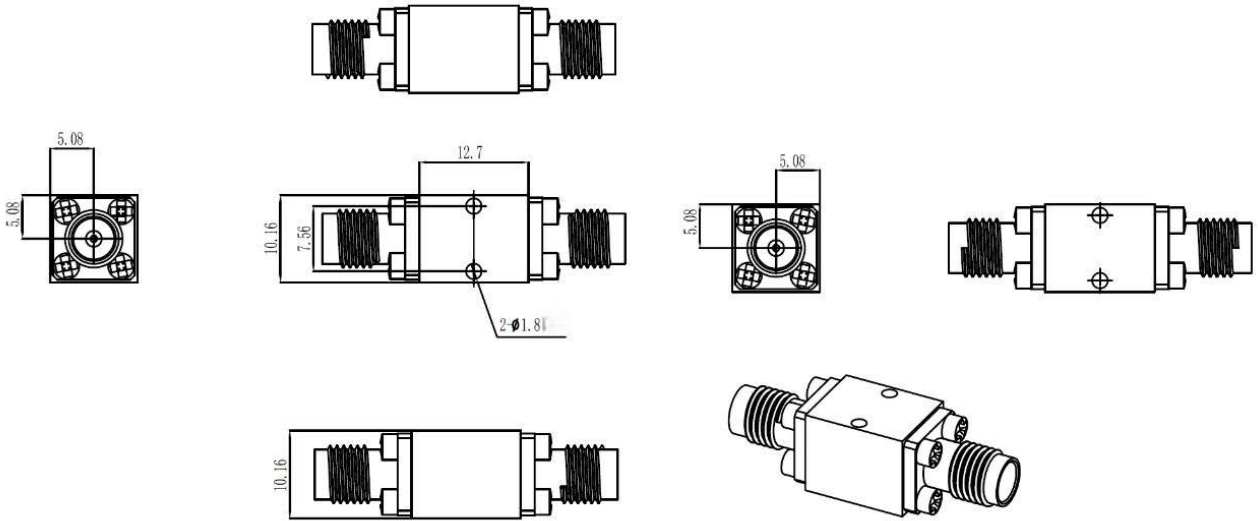
10 MHz-67GHz / 10 dBm, Input power

lauftex.ru | sales@lauftex.ru

LAUFTEK

Outline Drawing:

Unit:mm



ESD Protection: Strictly adhere to ESD precautions to prevent electrostatic damage.

Environmental Conditions:

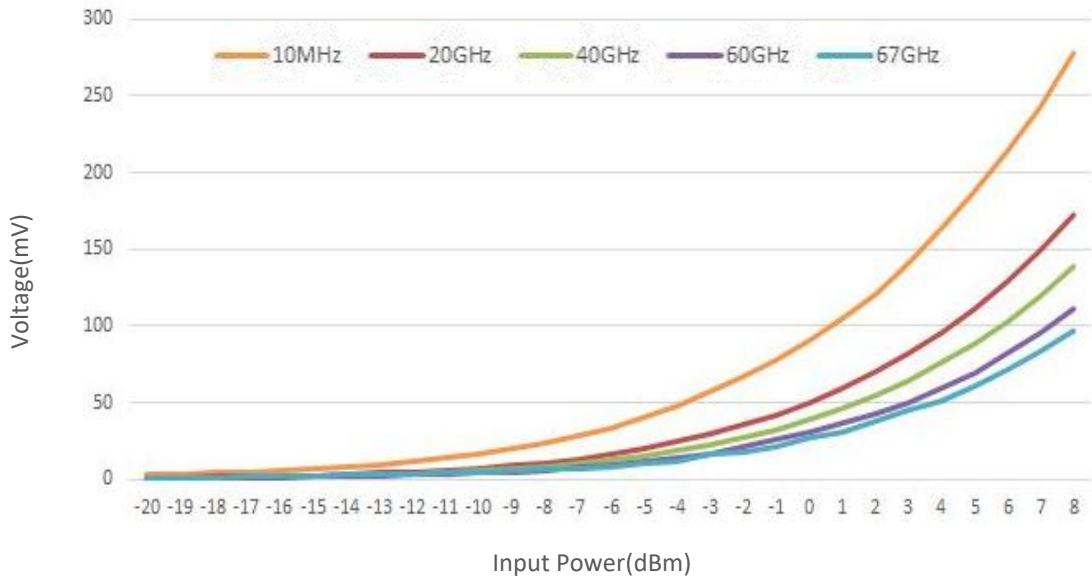
Parameter	Min	Typ	Max	Units
Operating Temperature	-20		+70	°C
Non-operating Temperature	-40		+85	°C
Relative humidity		95		%
Altitude		10,000		feet
Shock / Vibration(MIL-STD-810F)	25g rms (15 degree 2KHz) endurance, 1 hour per axis			
Shock(non operating)	20G for 11msc half sin wave,3 axis both directions			

LT-D10M67
10 MHz-67GHz / 10 dBm, Input power
lauftex.ru | sales@lauftex.ru



Typical Performance Data:

Output Voltage vs Input Power



Note: Above data is for ref only, actual data may vary from unit to unit depending on operating environment and other factors like material lots etc.