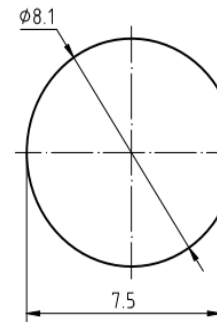
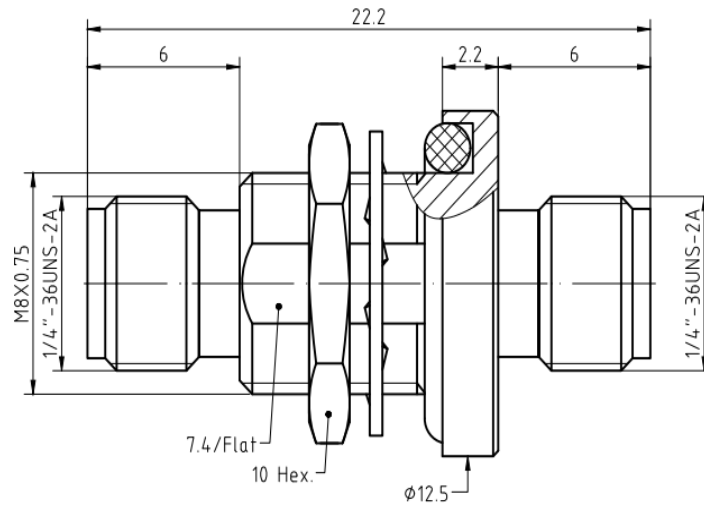


MIL-C-39012



**Electrical & Environmental Characteristics**

Impedance	50 Ohm
Insulation Resistance	5000 MΩ
Operating Frequency	DC-18GHz
Dielectric Withstanding Voltage	1000V
VSWR	$\leq 1.03 + 0.02 \times f[\text{GHz}]$
Insertion Loss	$\leq 0.1 * \text{Sqrt}(f\_GHz)$
Operating Temperature	- 65~+165°C

**Material & Coat-Plating**

Inner Conductor/ Washer	Beryllium copper/Gold plated
Dielectric	PTFE
Body/Nut	Brass/Gold plated

THIS DRAWING IS A CONTROLLED DOCUMENT

DWN  
CHK

**LAUFTEK**

**Unit mm**

TOLERANCES UNLESS OTHERWISE SPECIFIED

0 PLC ±0.25  
1 PLC ±0.15  
2 PLC ±0.12  
3 PLC ±  
3 PLC ±-  
ANGLES ±1°

APVD  
PRODUCT SPEC  
APPLICATION SPEC

**Product Model**

LT- SMAFF-4A  
SMA Female SMA Female Connector

MATERIAL SEE TABLE  
FINISH SEE TABLE

WEIGHT

SIZE A4

GAGE CODE OT8L4

DRAWING NO

CUSTOMER DRAWING

SCALE 4: SCALE 4: 1

SHEET 1 OF 1

RVE 1